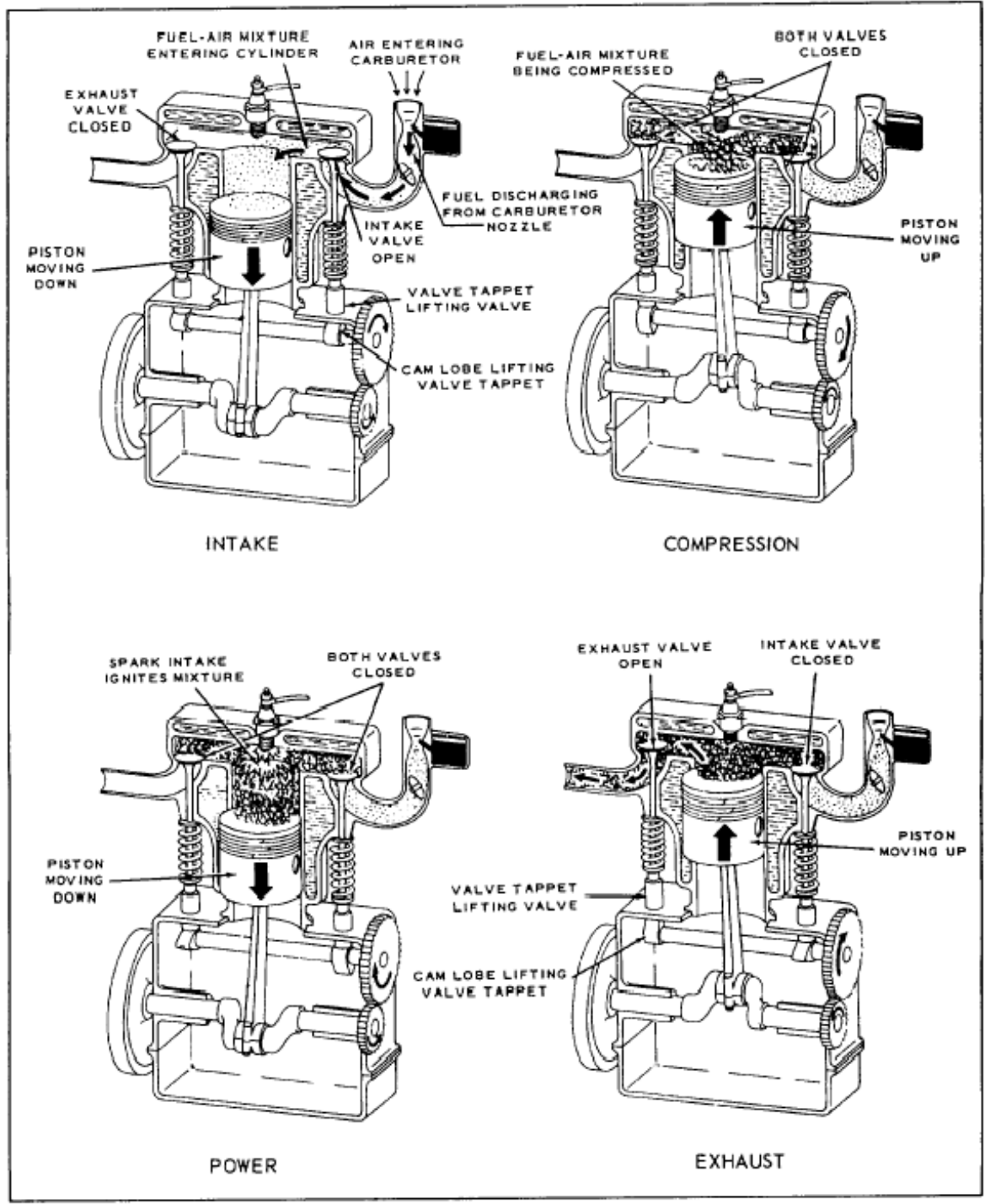


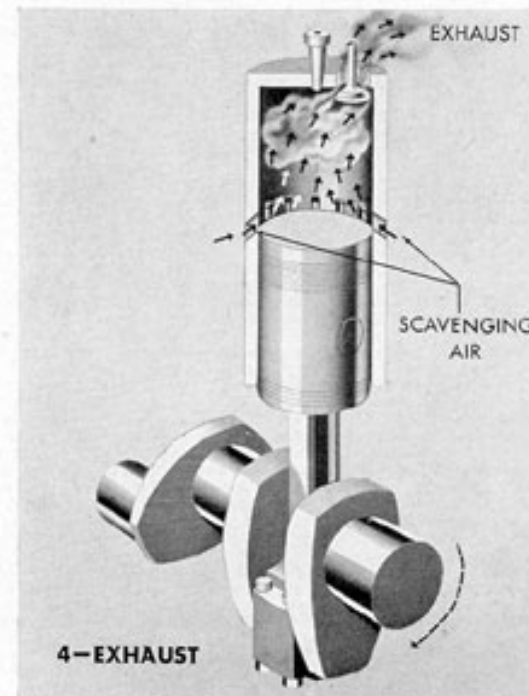
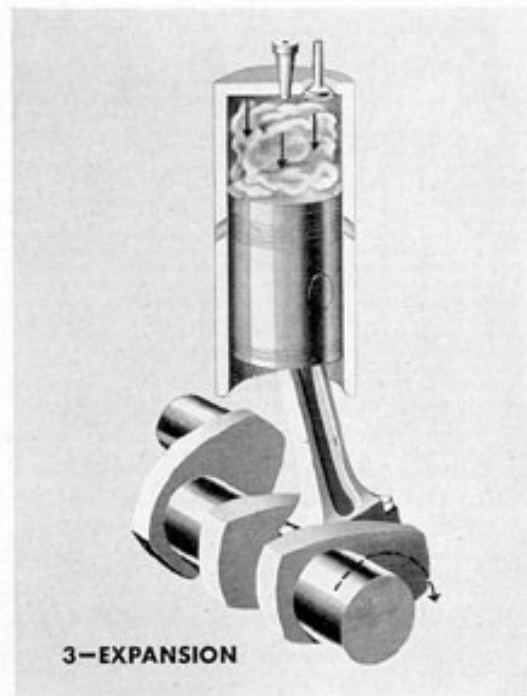
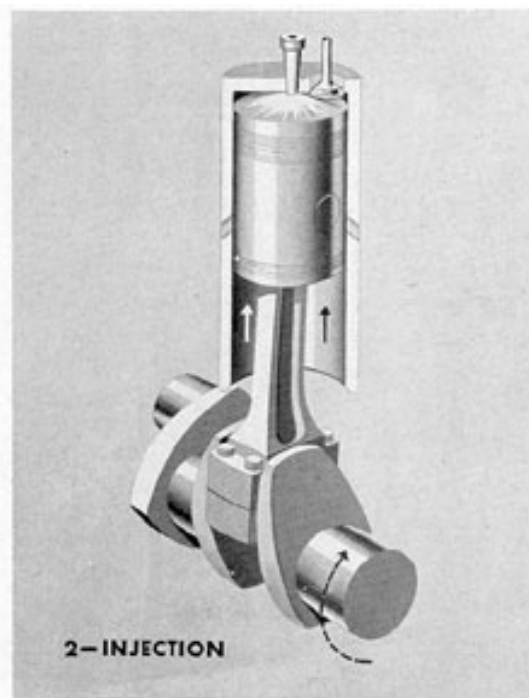
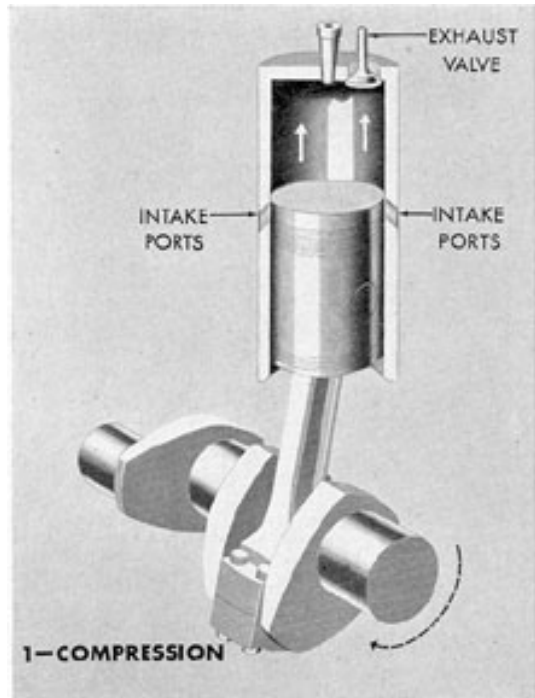
IC Engine Photo Gallery

ME354

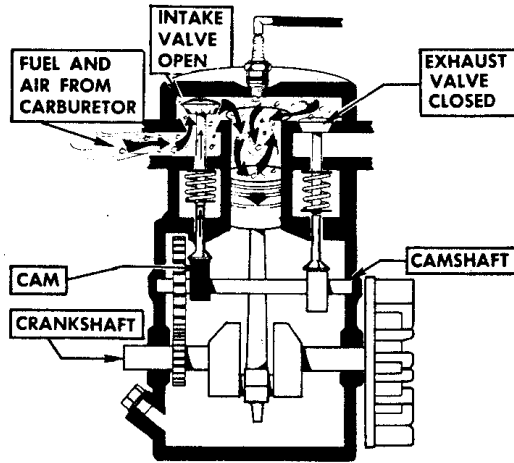
Thermodynamics



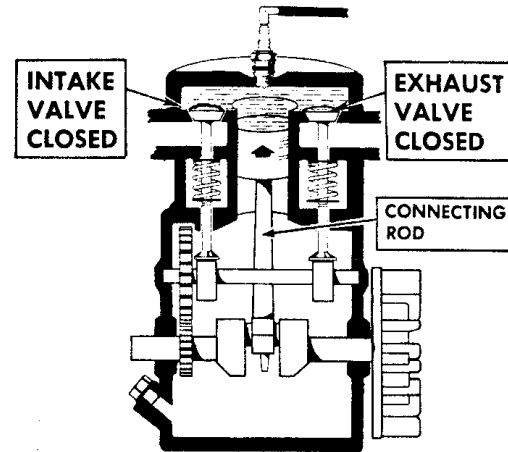




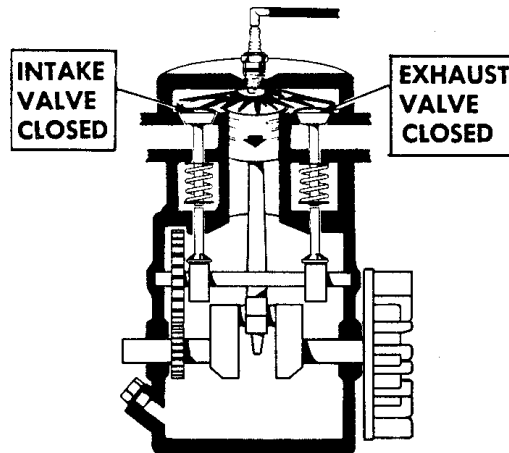
FOUR - STROKE CYCLE



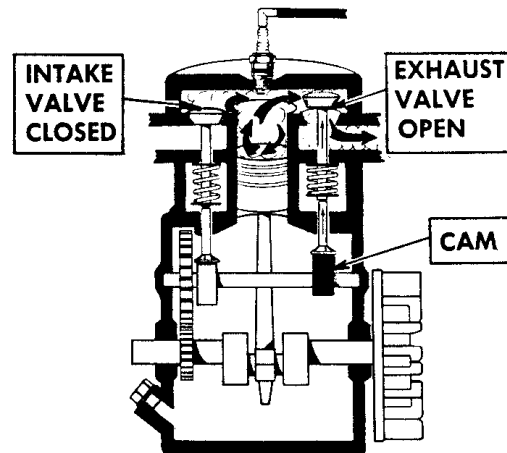
PISTON INTAKE STROKE



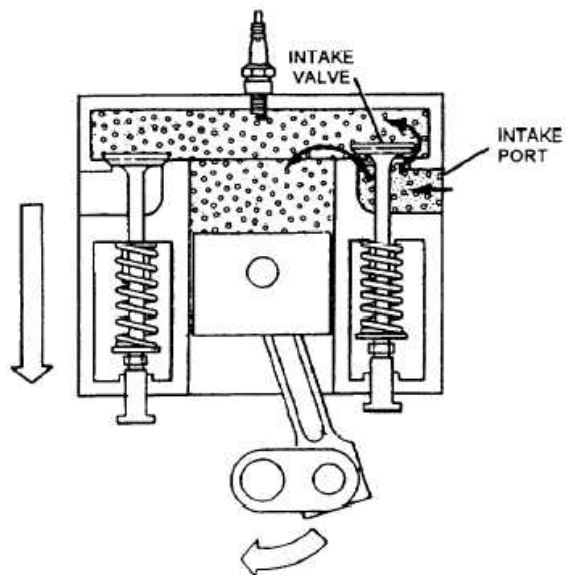
PISTON COMPRESSION STROKE



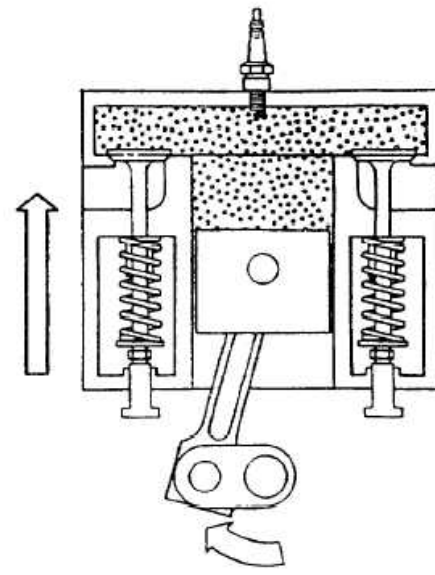
PISTON POWER STROKE



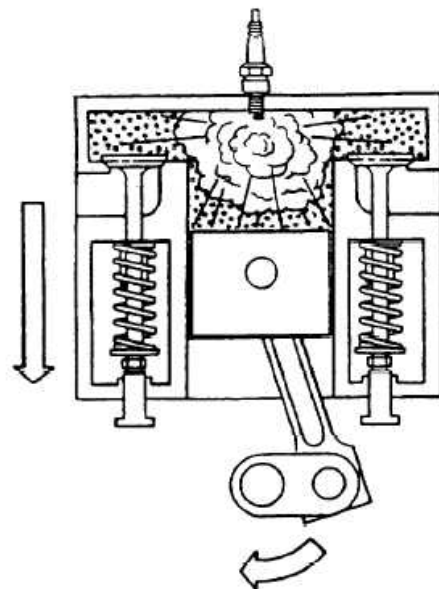
PISTON EXHAUST STROKE



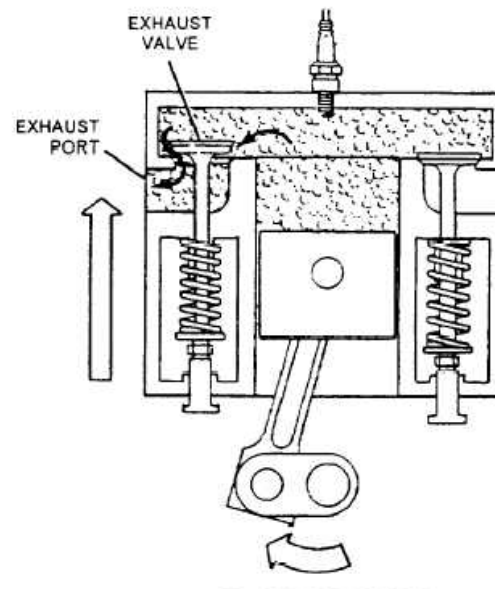
A. INTAKE STROKE






B. COMPRESSION STROKE

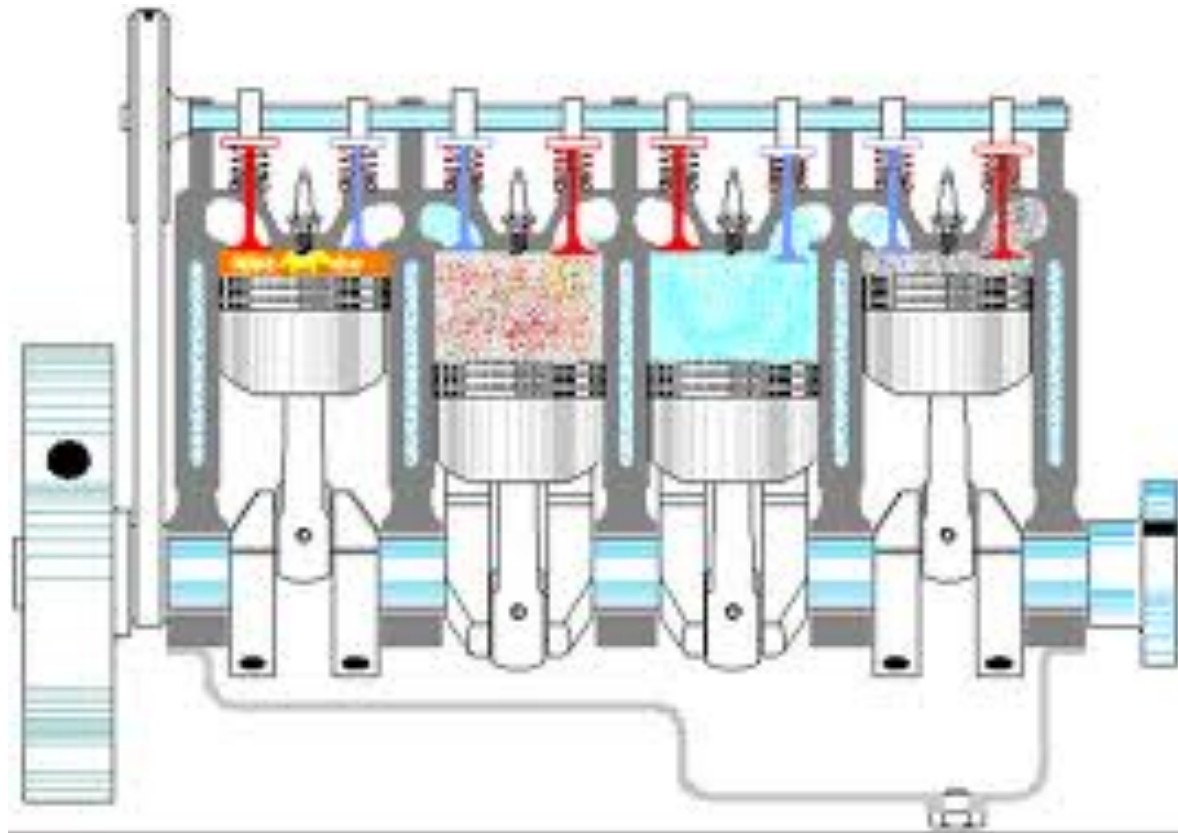


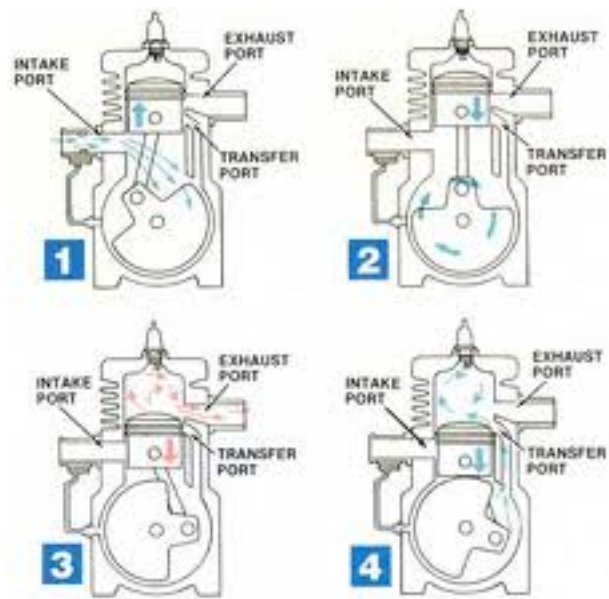
C. POWER STROKE



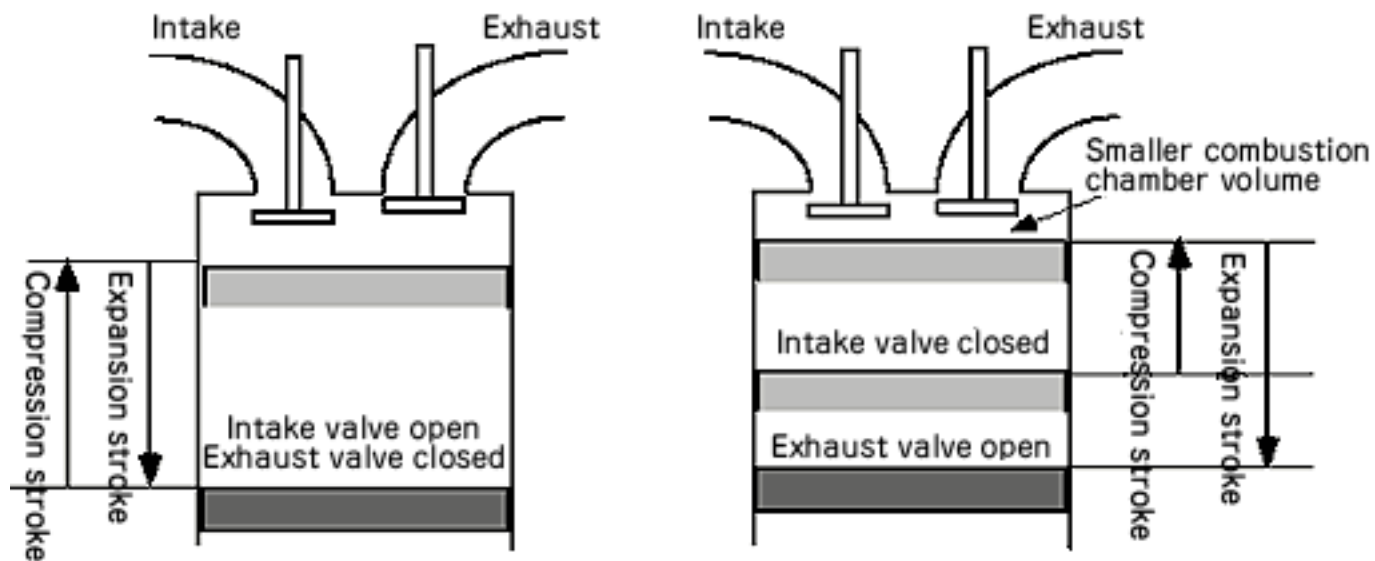
D. EXHAUST STROKE

-  INTAKE
-  COMPRESSION
-  EXHAUST





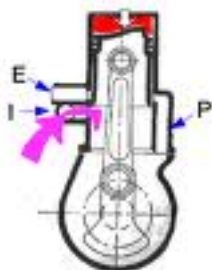
High expansion rate achieved by Miller cycle



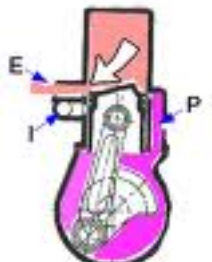
< Conventional cycle >
Compression ratio = Expansion ratio

< Miller cycle >
Compression ratio < Expansion ratio

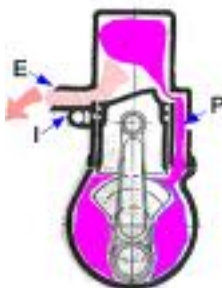




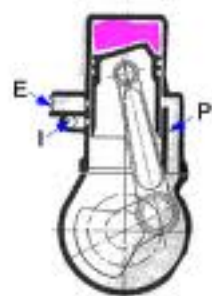
Combustion



Exhaust



Charging



Compression

